

# ZHONGJI

## Outdoor Aluminium Panel(HY series)



ZHONGJI can make outdoor aluminium panel custom made to suit your cladding, including used in curtain wall, pre-roll panel, hyperbolic panel, self-cleaning panel, perforated panel, honeycomb panel, composite panel, curved hollow panel, grid panel, close-assembly panel.

### Features

>Customizable

### Material

>Aluminium

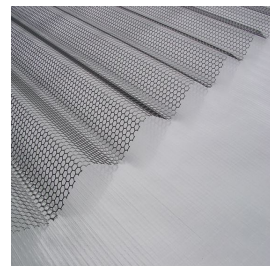
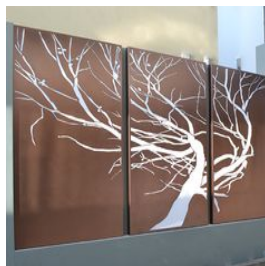
### Standard Sizes

>Width x Height x Thickness

### Lead Time

>Standard 1 to 2 Weeks

>Express Service Available

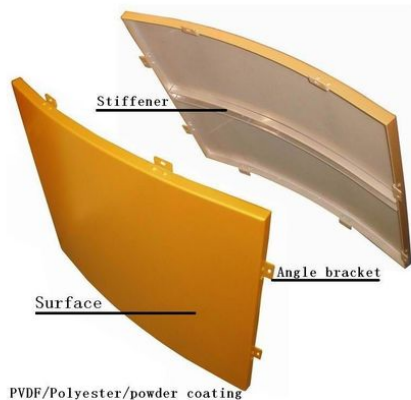


**ZHONGJI**

[www.zjalu.com](http://www.zjalu.com)

Phone:86 059183466107 Email:[zhongji@zjalu.com](mailto:zhongji@zjalu.com)

# ZHONGJI



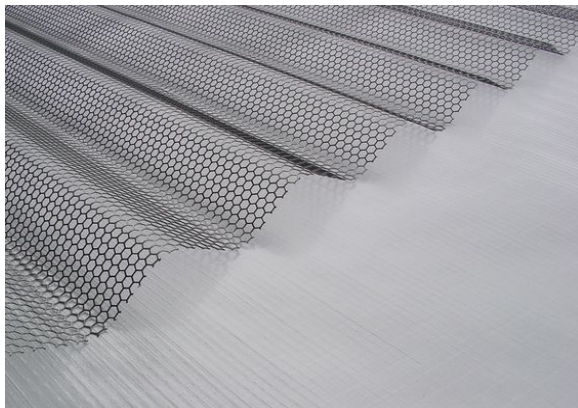
## Hyperbolic Aluminum Panel

Brand: ZHONGJI                      Material: Aluminum  
Size: tailored                      Thickness: 2-4mm  
Specification: light but rigidity and consistency, rich color. strong corrupt proof, weather proof and chemical proof. good plasticity, easy fix and install.



## Outdoor Perforated Aluminum Panel

Brand: ZHONGJI                      Material: Aluminum  
Size: tailored                      Thickness: 1.5-3mm  
Specification: light but rigidity and consistency, good appearance, good plasticity, easy fix and install.



## Outdoor Curved Panel

Brand: ZHONGJI                      Material: Aluminum  
Size: tailored                      Thickness: 1.5-3mm  
Specification: curved panel decorated with other materials can also exhibit the new fashion and design. designers can create different decorative effects for special purposes or effects.

**ZHONGJI**

[www.zjalu.com](http://www.zjalu.com)

Phone: 86 059183466107 Email: [zhongji@zjalu.com](mailto:zhongji@zjalu.com)

# ZHONGJI



## Outdoor Aluminum Cladding Wall

Brand: ZHONGJI      Material: Aluminum  
Size: tailored      Thickness: 2-4mm  
Specification: light but rigidity and consistency, rich color. strong corrupt proof, weather proof and chemical proof. good plasticity, easy fix and install.



## Outdoor Grid Aluminum Panel

Brand: ZHONGJI      Material: Aluminum  
Size: tailored      Thickness: 1.5-3mm  
Specification: light and consistency, good plasticity, good appearance, good Ventilation, easy fix and install.



## Outdoor Close-assembly Aluminum Panel

Brand: ZHONGJI      Material: Aluminum  
Size: tailored      Thickness: 1-3mm  
Specification: boundaries appear seamless, light but rigidity and consistency, rich colors, good plasticity.

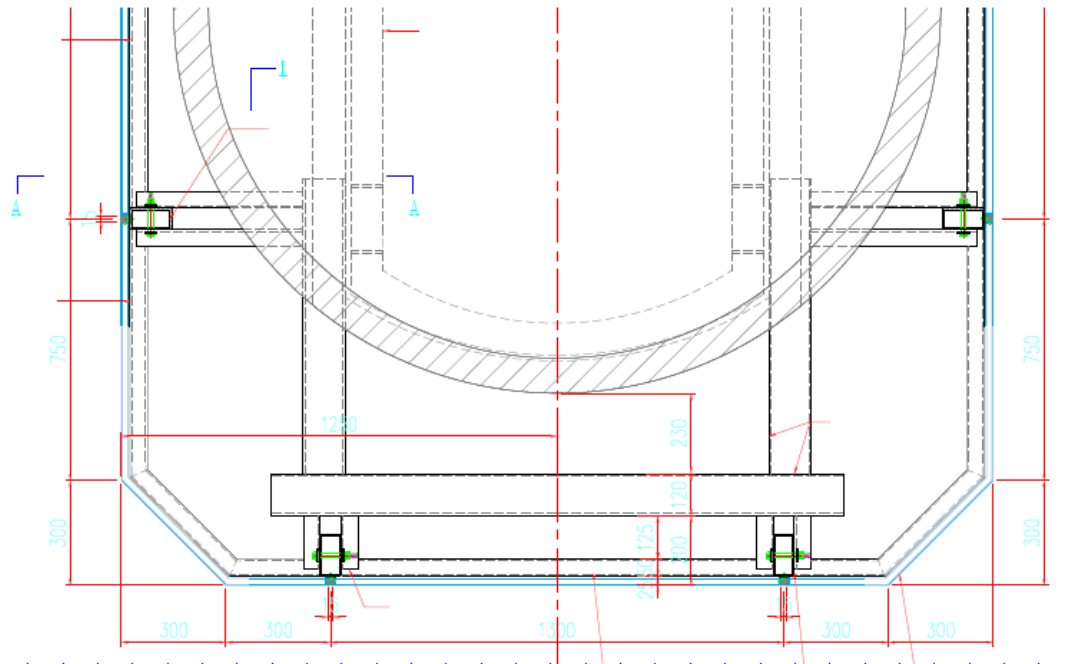
**ZHONGJI**

[www.zjalu.com](http://www.zjalu.com)

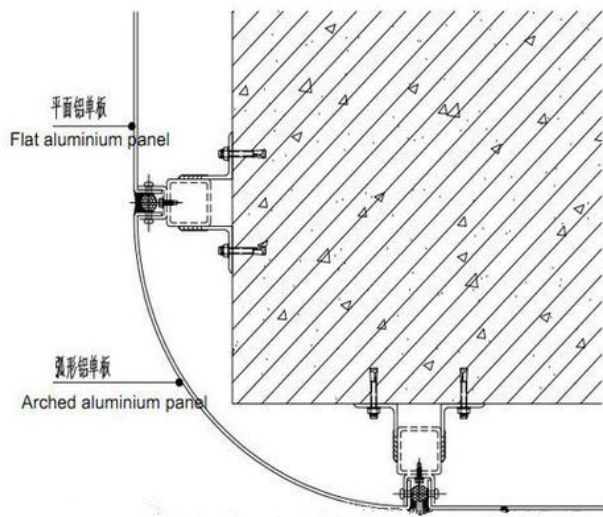
Phone: 86 059183466107 Email: [zhongji@zjalu.com](mailto:zhongji@zjalu.com)

# ZHONGJI

## Outdoor Grill Beams Node Drawing



## Aluminum Arched Corner Panel Drawing



铝单板圆弧转角样图

Aluminium arched corner panel drawing

**ZHONGJI**

www.zjalu.com

Phone:86 059183466107 Email:zhongji@zjalu.com